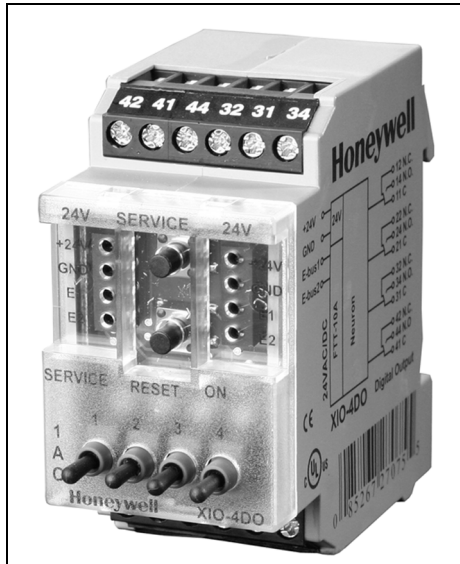


Compact I/O Module

XIO-4DO LON[®] DIGITAL OUTPUT MODULE

INSTALLATION INSTRUCTIONS



GENERAL

The Honeywell XIO-4DO LON[®] Digital Output Module is a LON Module with four digital outputs to switch electrical components like motors, contactors, lamps, blinds etc.

In a LON installation the four relays can be individually activated by standard network variables. The relays are provided with a manual control function that is only activated in the "Configured Mode". In addition the module includes a wiper function. Settings are done by LNS[®]-Plugin.

SPECIFICATIONS

Electrical Ratings:

Supply Operating Voltage: 20 to 28 V AC/DC.
Current Consumption: 205 mA (AC) / 67 mA (DC).
Duty cycle: 100%.
Recovery time: 550 ms.

Terminal Blocks:

Supply and Bus: 16 AWG (1.5 mm²).
(terminal block and strapping plug included with backing).
Digital Outputs: 14 AWG (2.5 mm²).

LON Interface:

Transceiver: FTT10A free topology.
Neuron: 3120, 2K Flash downloadable.
Data format: standard network variables (SNVT).
Transmission rate: 78 kBit/s.
Maximum Length:
Line topology: 8858 ft. (2700 m) / 64 nodes.
Free topology: 1640 ft. (500 m) / 64 nodes.
Cabling: Twisted Pair.

Display:

Operation: green LED.
Function: yellow LED for status (service).
Output status: yellow LED.

Temperature Ratings:

Operating: 23° F to 131° F (-5 °C to +55 °C).
Storage: -4° F to +158° F (-20 °C to +70 °C).

Dimensions (W x H x D):

1.4 x 2.8 x 2.9 in. (35 x 70 x 74 mm).

Weight: 4 ounces (104 grams).

Mounting Position: Any.

Mounting: DIN rail per EN 50022.

Output:

Output contact: 4 changeover contacts.
Contact material: AgNi.
Switching voltage: 250 V AC.
Nominal current: 5 A.
Total current for all contacts: maximum 12 A.
Contact fuse: 5 A.
Mechanical endurance: 1.5 x 10⁷ switching cycles.
Electrical endurance: 1.5 x 10⁵ switching cycles.
Permissible switching frequency: 6/min. at nominal current.

Construction Material:

Housing and Terminal Blocks: Polyamide 6.6 V0.
Faceplate: Polycarbonate.

Protective circuitry:

Operating voltage: polarity reversal protection.

Protection:

IP40 housing DIN 40050.
IP20 terminal blocks DIN 40050.



SAFETY INSTRUCTIONS

NOTES REGARDING DEVICE DESCRIPTION

These instructions include indications for use and mounting of the device. In case of questions that cannot be answered with these instructions, please consult the product supplier or manufacturer. It is the responsibility of the equipment installer to ensure that all federal, state and local codes are followed.

SAFETY INSTRUCTIONS

- Keep these Installation Instructions for industrial safety and the prevention of accidents.
- Only qualified personnel shall do mounting and installation work with these devices, see section titled “Qualified Personnel”.
- The information in these instructions must be read and understood by every person using this device.

QUALIFIED PERSONNEL

Qualified personnel in the sense of these instructions are persons who are well versed in the use and installation of such devices and whose professional qualification meets the requirements of their work.

This includes, for example:

- Qualification to connect the device according to applicable specifications and regulations, and a qualification to put this device into operation, to power it down, or to activate it by respecting the internal directions.
- Knowledge of safety rules.
- Knowledge about application and use of the device within the equipment system.

BEFORE INSTALLATION

1. Unpack the XIO-4DO LON Digital Output Module.
2. Check the equipment and report any damage to a Honeywell representative.
3. Read all of these instructions and ensure they are understood.

MOUNTING

Mount the XIO-4DO LON Digital Output Module on standard DIN rail per EN 50022 (1.38 x 0.3 in. [35 x 7.5 mm]), in junction boxes and/or on distribution panels.

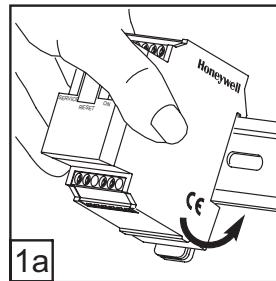
INSTALLATION



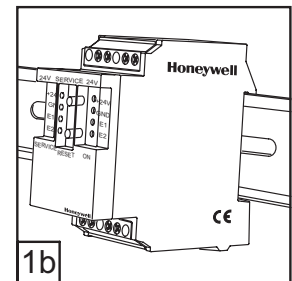
CAUTION

Electrical installation and device termination shall be accomplished by qualified persons only, by respecting all applicable specifications and regulations.

1. Power down the equipment. Mount the module on the DIN rail.

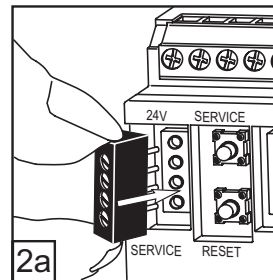


M25060

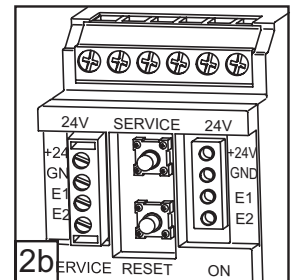


M25061

2. Plug in the terminal block for bus connection.

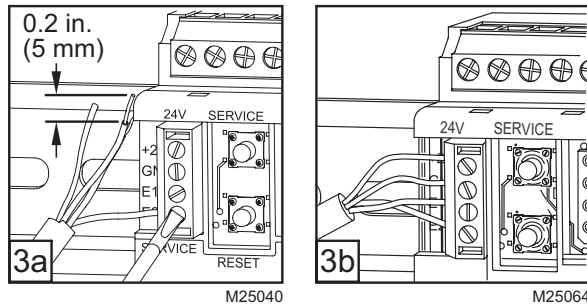


M25062



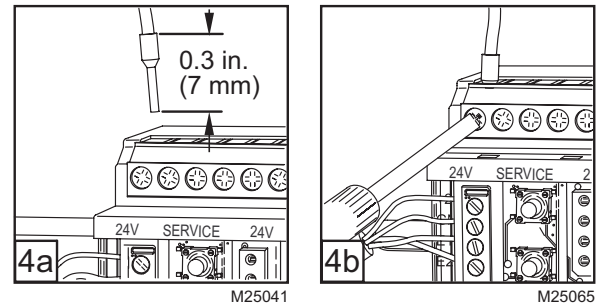
M25063

3. Prepare the cable for bus connection:

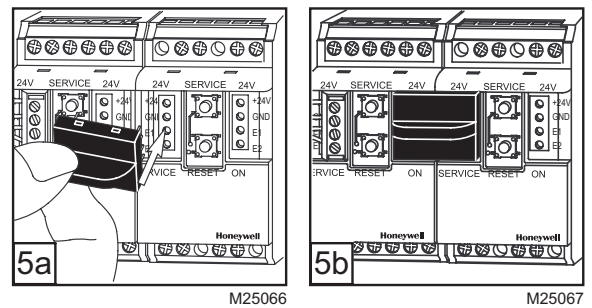


- Remove about 0.75 in. (2 cm) of the plastic cable sheath.
- Strip 0.2 in. (5 mm) insulation from each wire. Put a wire end sleeve on stranded wires.
- Insert the wire to the respective contact and secure it by screwing down the contact screw.
- Wire cross section of the 4 pole terminal block bus/main connection:
 - Maximum 16 AWG (1.5 mm²) single wire.
 - Maximum 18 AWG (1.0 mm²) stranded wire.
 - Wire diameter minimum 28 AWG (0.3 mm) up to 16 AWG (1.4 mm).

4. Prepare cable for module connections

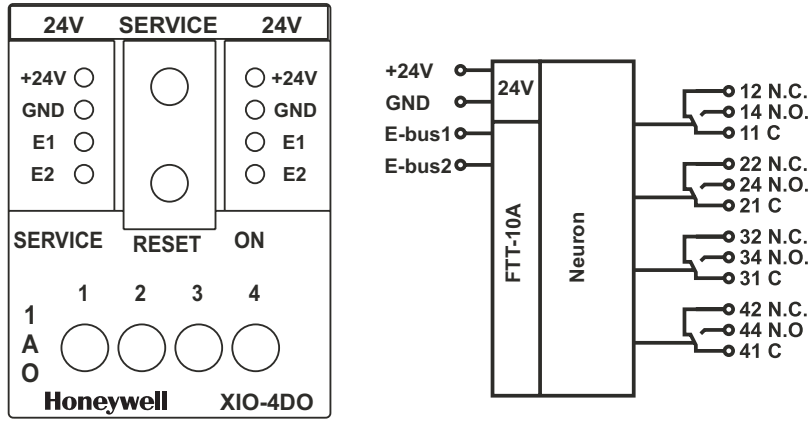


- Strip the wires by 0.3 in. (7 mm). Put a wire end sleeve on stranded wires.
 - Insert the wire into the respective module contact and secure it by screwing down the contact screw.
 - Wire cross section of the module contacts:
 - Maximum 12 AWG (4.0 mm²) single wire.
 - Maximum 14 AWG (2.5 mm²) stranded wire.
 - Wire diameter: minimum 28 AWG (0.3 mm) up to maximum 10 AWG (2.7 mm).
5. The module can be aligned without interspace. Use the strapping plug to connect bus and supply voltage when the modules are mounted in series. The modules can be mounted in series without interspace. The maximum number of modules connected in series is 15, with each group needing an external power supply.



TERMINATION

Figure 1 illustrates the terminations for the XIO-4DO LON Digital Output Module.

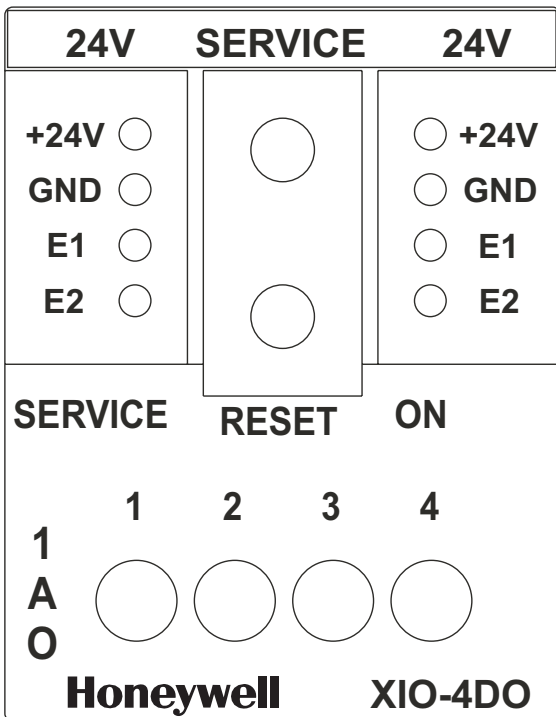


M25051

Fig. 1. Termination diagram for the XIO-4DO.

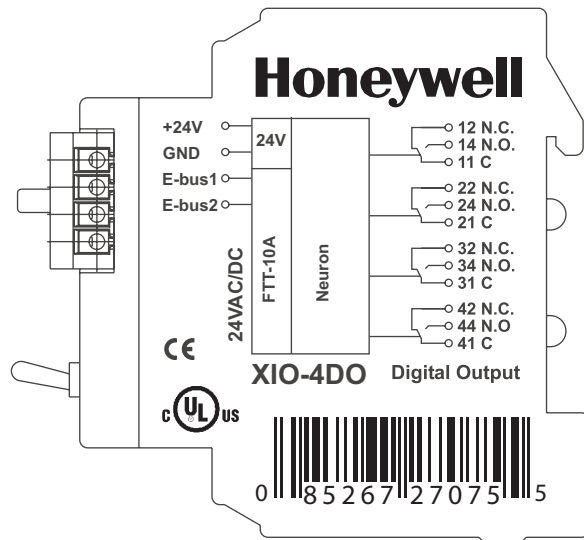
WIRING

Wiring of the XIO-4DO must be accomplished in accordance with federal, state, and local requirements. Figures 4 and 5 show sample diagrams of wiring of the XIO-4DO.



M25076

Fig. 2. Front panel diagram of XIO-4DO.



M25077

Fig. 3. Side panel diagram of XIO-4DO.

By using this Honeywell literature, you agree that Honeywell will have no liability for any damages arising out of your use or modification to, the literature. You will defend and indemnify Honeywell, its affiliates and subsidiaries, from and against any liability, cost, or damages, including attorneys' fees, arising out of, or resulting from, any modification to the literature by you.

Automation and Control Solutions

Honeywell International Inc.

Honeywell Limited-Honeywell Limitée

Scarborough, Ontario M1V 4Z9

Honeywell